

HunterDouglas VENETIAN V-LIFT SYSTEM

Product Information

VENETIAN V-LIFT SYSTEM

An advanced system designed with a strong focus on child safety



The V-Lift Operating System is one of the latest introductions to the Hunter Douglas hardware collection with a focus on innovative technology, child safety and quality design.

Without the need for complex release mechanisms, V-Lift allows you to raise or lower venetian blinds to any desired position by moving the bottom rail.

This is controlled by advanced motor gears designed for effortless and precise operation.

KEY FEATURES

The V-Lift Operating System features innovative componentry for maximum functionality whilst maintaining attractive aesthetics.

GOOD LOOKING DURABILITY: WAND TILTER

The wand is connected to a durable wand tilter for smooth rotation and closure of the slats. The wand tilter replaces the CordLock element eliminating more cords.

LONG TERM PERFORMANCE: CORD & SPOOL

V-Lift features a 0.9mm cord, specifically produced to retain its shape around a smoothly rotating spool during use. This reduces stretch, wear and tear and most importantly, shrinkage.

CLEVER MECHANICS: SPRING TRANSMISSION & GEARS

The patented Spring Transmission mechanism, allows for consistent and smooth tension when raising and lowering the blind. 3 gear options are available based on the weight of the blind.



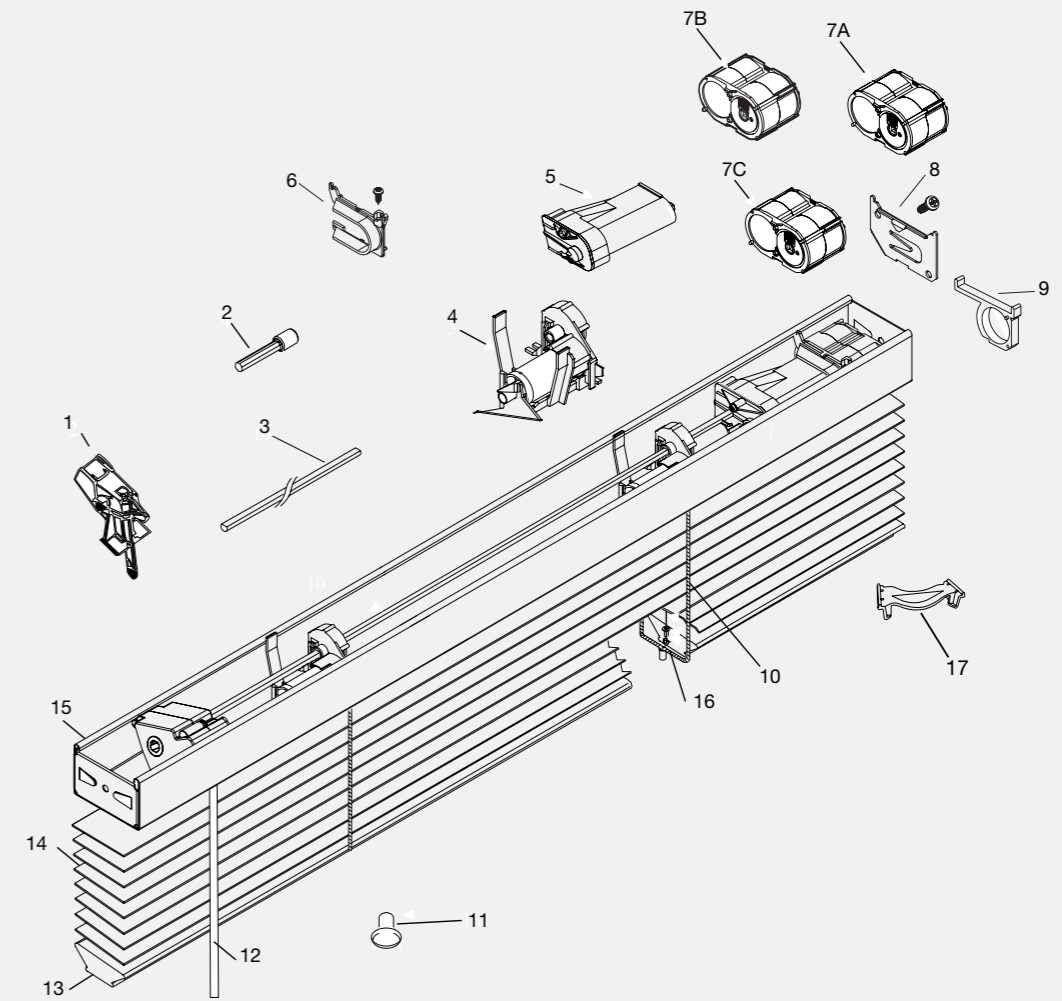


The wand comprises of clear PVC blending into the slats for an unobtrusive view.

V-LIFT WITH WOODNATURE

V-Lift operation is available with the WoodNature Timber Venetian Range. The size limitation is 2.9sqm. Max width is 1600mm by 1800mm drop.

Smooth & easy handling to raise and lower the Venetian blind.



PRODUCT RANGE					
NO.	ITEM	DESCRIPTION	COLOUR	QTY	UOM
7A	26.836.000A	50MM CORDLESS MOTOR GREY	GREY	1 x 20	EA
7B	26.837.000A	50MM CORDLESS MOTOR BLACK	BLACK	1 x 20	EA
7C	26.838.000A	50MM CORDLESS MOTOR RED	RED	1 x 20	EA
6	26.842.000A	50MM CORDLESS ADAPTER PLATE WITH SCREW	NATURAL	1 x 20	EA
8	26.843.030A	50MM CORDLESS MOTOR CLAMP	ZINCPLATE	1 x 50	EA
4	26.844.000A	50MM CORDLESS LIFT & TILT ROLL ASSEMBLY	GREY	1 x 50	EA
9	26.845.000A	50MM CORDLESS MOTOR SPACER	NATURAL	1 x 50	EA
5	26.846.000A	50MM CORDLESS TRANSMISSION	NATURAL	1 x 20	EA
1	26.847.000A	50MM CORDLESS WAND TILTER	NATURAL	1 x 100	EA
2	26.848.000A	50MM CORDLESS TILTER ADAPTER "D" ROD	NATURAL	1 x 50	EA
3	26.849.030A	50MM CORDLESS "D" TILT ROD	ZINCPLATE	1 x 50	MT
17	26.850.000A	50MM HIGH PROFILE ADAPTER	NATURAL	1 x 50	EA
	26.852.000A	WAND ASSEMBLY 305MM	CLEAR	1 x 20	EA
	26.853.000A	WAND ASSEMBLY 510MM	CLEAR	1 x 20	EA
	26.854.000A	WAND ASSEMBLY 765MM	CLEAR	1 x 20	EA
12	26.856.000A	WAND ASSEMBLY 1020MM	CLEAR	1 x 20	EA
	26.857.000A	WAND ASSEMBLY 1270MM	CLEAR	1 x 20	EA
	26.858.000A	WAND ASSEMBLY 1525MM	CLEAR	1 x 20	EA
	26.860.000A	WAND ASSEMBLY 2285MM	CLEAR	1 x 25	EA
16	26.851.120	0.9MM CORD W/CORE	WHITE	1 x 915	MT

HunterDouglas

338 Victoria Road
Rydalmere NSW 2116 Australia
Customer Service Phone: 1800 021 022 Fax: 1800 624 775
HDCustservice@hunterdouglas.com.au
www.hunterdouglas.com.au